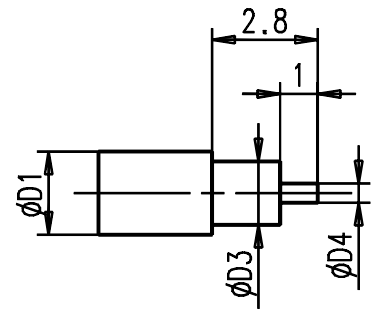
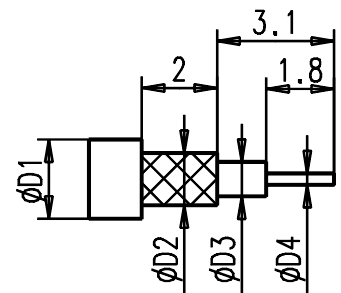


Steckbereich nach IEC 1169-36 Grade 2
Mating area acc. to IEC 1169-36 Grade 2

SEMI-RIGID-KABEL
SEMI-RIGID-CABLE



FLEX.-KABEL
FLEX.-CABLE



ENVIRONMENTAL CHARACTERISTICS PLEASE REFER TO
IMS CATALOGUE

PART	MATERIAL	FINISH
BODY	CuZn39 Pb3 F44	LAST DIGIT OF CODE ('): 1: 0.8µm Au
CENTRE CONTACT	CuZn39 Pb3 F51	1.3µm Au 5: OPTALLOY
ISOLATOR	TEFLON (PTFE)	9: 5-8µm Ni

Fuer Kabel /
For cable

gr.	Type	ØD1 max.	ØD2 max.	ØD3 max.	ØD4 max.	ØD5	ØD6	ØD7
1	RG 178 BU;RG 196 AU;	2.10	1.38	0.91	0.30	1.80	2.40	3.10
2								
3								
4								
6	RG 405/U	2.20		1.68	0.51	1.80	2.40	3.10

IMS CONNECTOR
SYSTEMS

general tolerance
ISO 2768
mH

scale:

Assembly instruction: KG1: M42 KG6: M42
Stripping dimension: KG1: K1 KG6: K2

date name
generate 10.01.86 Grode
checked

Kabelwinkelstecker

Cable mount angle plug

057/04	g	Text entfernt	01.03.04	I.S.	Norm
495/03	f	Loetschlitz weg	27.11.03	Mayer	25317
632/01	e	Text hinzu	23.10.01	Pichl	
241/99	d	Zuschnitt Semi-R.	21.10.99	Hogg	
485/98	c	Ueberarbeitung	20.10.98	Mayer	
nr.	rev.	alteration	date	name	



269.01.1420.0''

Rev.
g